

УНИВЕРСАЛЬНЫЕ НАСОСЫ СЕРИЯ SMK



Архангельск (8182)63-90-72
Астана (7172)727-132
Астрахань (8512)99-46-04
Барнаул (3852)73-04-60
Белгород (4722)40-23-64
Брянск (4832)59-03-52
Владивосток (423)249-28-31
Волгоград (844)278-03-48
Вологда (8172)26-41-59
Воронеж (473)204-51-73
Екатеринбург (343)384-55-89
Иваново (4932)77-34-06

Ижевск (3412)26-03-58
Иркутск (395)279-98-46
Казань (843)206-01-48
Калининград (4012)72-03-81
Калуга (4842)92-23-67
Кемерово (3842)65-04-62
Киров (8332)68-02-04
Краснодар (861)203-40-90
Красноярск (391)204-63-61
Курск (4712)77-13-04
Липецк (4742)52-20-81

Киргизия (996)312-96-26-47

Магнитогорск (3519)55-03-13
Москва (495)268-04-70
Мурманск (8152)59-64-93
Набережные Челны (8552)20-53-41
Нижний Новгород (831)429-08-12
Новокузнецк (3843)20-46-81
Новосибирск (383)227-86-73
Омск (3812)21-46-40
Орел (4862)44-53-42
Оренбург (3532)37-68-04
Пенза (8412)22-31-16

Россия (495)268-04-70

Пермь (342)205-81-47
Ростов-на-Дону (863)308-18-15
Рязань (4912)46-61-64
Самара (846)206-03-16
Санкт-Петербург (812)309-46-40
Саратов (845)249-38-78
Севастополь (8692)22-31-93
Симферополь (3652)67-13-56
Смоленск (4812)29-41-54
Сочи (862)225-72-31
Ставрополь (8652)20-65-13

Казахстан (772)734-952-31

Сургут (3462)77-98-35
Тверь (4822)63-31-35
Томск (3822)98-41-53
Тула (4872)74-02-29
Тюмень (3452)66-21-18
Ульяновск (8422)24-23-59
Уфа (347)229-48-12
Хабаровск (4212)92-98-04
Челябинск (351)202-03-61
Череповец (8202)49-02-64
Ярославль (4852)69-52-93

Proper Use

The pump is intended exclusively for use in accordance with the original specification. It must only be operated with the values defined in the Technical Documentation regarding pumping medium, pumping flow, speed, density, pressure, temperature, motor power and all other data defined in the specification.

Do not use the pump for any other type of application. Do not make any changes to the pump. This may result in additional risks and property damage, for which the manufacturer shall not be liable!

The manufacturer must always be consulted regarding adjustments for a new intended use. We will be pleased to determine what adjustments would be required for the new intended use.

General Information

- Make certain before commissioning that the operating personnel have read and understood the Operator's Manual. It is the owner rather than the operator who is responsible for safety!
- Make certain the safety requirements and laws for the use of pumps which apply to the operating company and/or country in which the system is operated are observed.
- All parts that come in contact with medium are resistant up to a salt content of 0.75% (4500 mg/l Cl^-). If higher concentrations of salt are present, please contact the manufacturer.

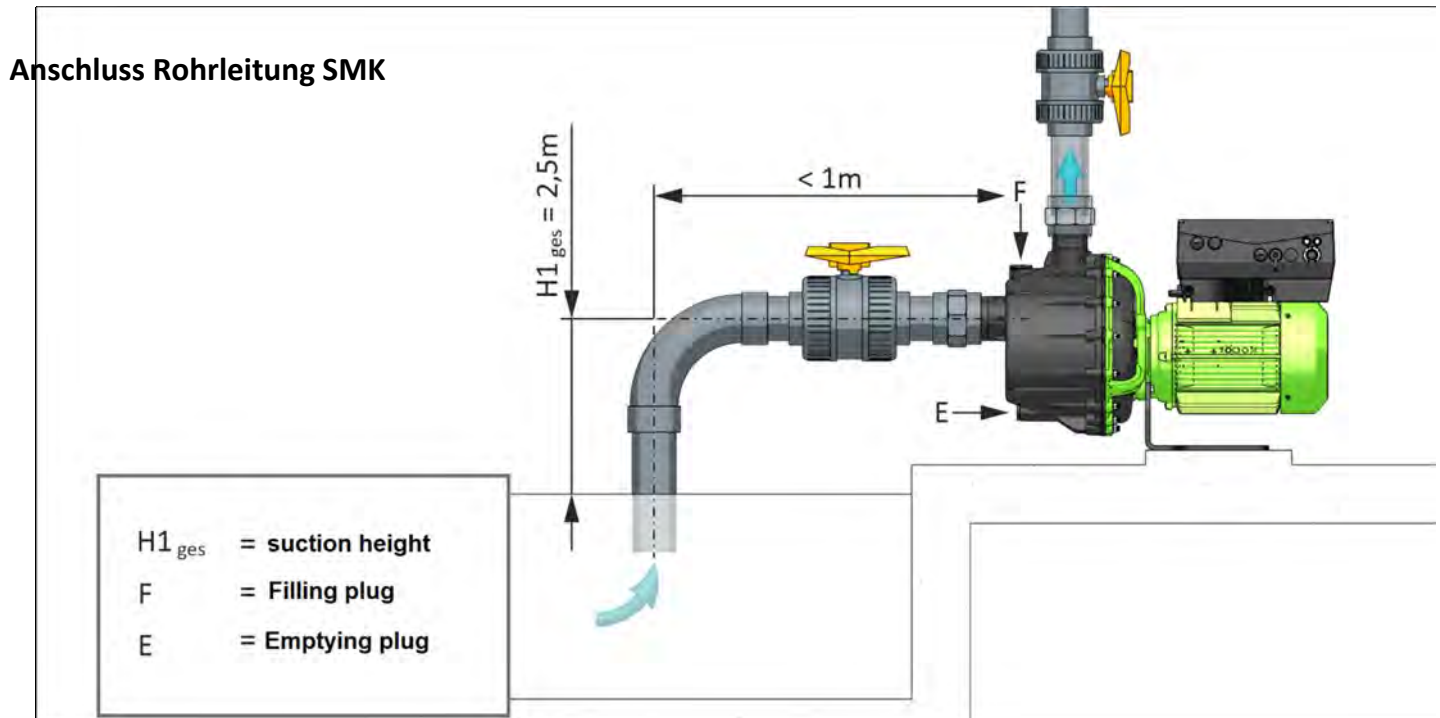


Fig. 2

The SMK is a self-priming centrifugal pump fitted with a semi-open impeller and a mechanical seal. The pump is suitable for clean and slightly contaminated liquids.

Suction lifts up to 2.5m are possible. The pump has to be filled with liquid once before the first pump start.

After the pump is started, the air from the suction pipe will be completely pumped away. The air disappears in the discharge pipes i.e. the pump can only vent through the open discharge pipes.

Technical Data SMK-5013

Typ	Limit values of the pump		Rated values of motor					Weight	Sound level	Pump connection	
	Flow rate Q_{max}	Pressure P_{max}	Output	Frequenz	Voltage	Nominal current	Speed			Suction end	Pressure end
¹⁾ Alternating current	[m ³ /h]	[bar]	[kW]	[Hz]	[V]	[A]	[min ⁻¹]	[kg]	[db(A)]		
SMK 5013/2 - 1,5	42	1,2	1,5	50	400Y 230Δ	2,86 4,95	2.900	34,5 41,5 [FU]	68 ⁺²	DN65 G2½"	
SMK 5013/2 - 1,5 WS ¹⁾	42	1,2	1,5		230	9,5			34,5	68 ⁺²	DN50 G2"
SMK 5013/2 - 1,9	48	1,4	1,9		400Y 230Δ	3,6 6,25		34,5 41,5 [FU]	70 ⁺²		
SMK 5013/2 - 1,9 WS ¹⁾	48	1,4	1,9		230	11,5		34,5	70 ⁺²		
SMK 5013/2 - 3,0	58	2,0	3,0		400Y 230Δ	5,75 10 <small>I_{max}: 6,8[V400V]</small>		38 45 [FU]	73 ⁺²		
SMK 5013/2 - 4,0	62	2,1	4,0		690Y 400Δ	4,3 7,5 <small>I_{max}: 8,5[V400V]</small>		39,5 46,5 [FU]	73 ⁺²		



Архангельск (8182)63-90-72
Астана (7172)727-132
Астрахань (8512)99-46-04
Барнаул (3852)73-04-60
Белгород (4722)40-23-64
Брянск (4832)59-03-52
Владивосток (423)249-28-31
Волгоград (844)278-03-48
Вологда (8172)26-41-59
Воронеж (473)204-51-73
Екатеринбург (343)384-55-89
Иваново (4932)77-34-06

Ижевск (3412)26-03-58
Иркутск (395)279-98-46
Казань (843)206-01-48
Калининград (4012)72-03-81
Калуга (4842)92-23-67
Кемерово (3842)65-04-62
Киров (8332)68-02-04
Краснодар (861)203-40-90
Красноярск (391)204-63-61
Курск (4712)77-13-04
Липецк (4742)52-20-81

Киргизия (996)312-96-26-47

Магнитогорск (3519)55-03-13
Москва (495)268-04-70
Мурманск (8152)59-64-93
Набережные Челны (8552)20-53-41
Нижний Новгород (831)429-08-12
Новокузнецк (3843)20-46-81
Новосибирск (383)227-86-73
Омск (3812)21-46-40
Орел (4862)44-53-42
Оренбург (3532)37-68-04
Пенза (8412)22-31-16

Россия (495)268-04-70

Пермь (342)205-81-47
Ростов-на-Дону (863)308-18-15
Рязань (4912)46-61-64
Самара (846)206-03-16
Санкт-Петербург (812)309-46-40
Саратов (845)249-38-78
Севастополь (8692)22-31-93
Симферополь (3652)67-13-56
Смоленск (4812)29-41-54
Сочи (862)225-72-31
Ставрополь (8652)20-65-13

Казахстан (772)734-952-31

Сургут (3462)77-98-35
Тверь (4822)63-31-35
Томск (3822)98-41-53
Тула (4872)74-02-29
Тюмень (3452)66-21-18
Ульяновск (8422)24-23-59
Уфа (347)229-48-12
Хабаровск (4212)92-98-04
Челябинск (351)202-03-61
Череповец (8202)49-02-64
Ярославль (4852)69-52-93